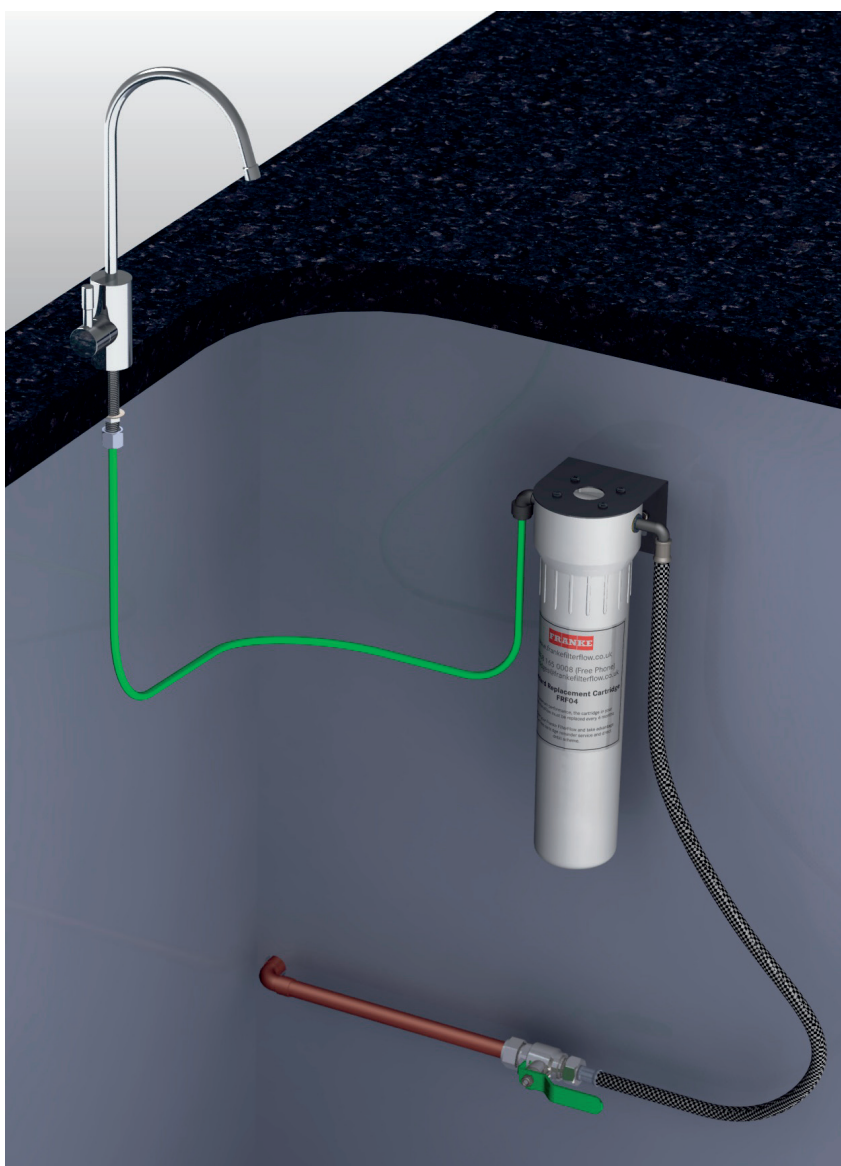


FRANKE FILTERFLOW MINI CARTRIDGE HOUSING

Installation Guide & Technical Information



Franke FilterFlow Mini
Typical installation

Please retain for future reference

THANK YOU FOR PURCHASING A FRANKE FILTERFLOW WATER FILTER SYSTEM

Your Franke FilterFlow water filter system is designed to connect exclusively to Franke FilterFlow Mini filtered water dispenser taps. The component parts of the system are precision manufactured to the highest quality standard, using premium food grade materials. Correctly installed and maintained your FilterFlow water filter will provide many years of trouble free use and a convenient, secure supply of high quality drinking water. Your Franke FilterFlow is supplied as a complete system with the parts required for connection to your Franke Mini dispenser tap and the cold mains water, including a Franke multi-stage filter cartridge.

Replacement Filter Cartridges

We recommend that only genuine replacement cartridges and spare parts are used to service your Franke FilterFlow. These can be obtained on-line at www.FrankeFilterFlow.co.uk or call freephone 0808 165 0008

Filter Cartridge Replacement Period

Franke FilterFlow filter cartridges should be replaced at 6 monthly intervals in order to maintain their filtration performance.

Register your Franke FilterFlow

We invite you to register your FilterFlow purchase to access our free cartridge replacement reminder service and direct debit scheme. Register online at www.FrankeFilterFlow.co.uk, use the freepost card provided, or call freephone 0808 165 0008 and talk to a member of our customer service team.

If you are considering carrying out the installation of your FrankeFlow water filter as a DIY project, we respectfully suggest you consider the risks associated with installing water appliances. Franke recommend you engage the services of a qualified installer to install and commission your Franke FilterFlow system.

Please keep this guide in a safe place. It will enable you to get the best performance from your FrankeFlow filter now and in the future.

SECTION 1: HOW THE SYSTEM OPERATES

The Franke FRF02 multi stage water filter cartridge* supplied as standard with your FilterFlow mini system is capable of removing a wide range of possible water contaminants.

*For Northern Ireland, Franke FilterFlow systems are supplied with a Franke FRF01 filter cartridge, to suit local water conditions.

The FRF02 cartridge comprises an outer shell of micro porous ceramic enclosing an inner section of composite carbon block. This ceramic and carbon combination will reduce sediment, harmful bacteria, cysts, chlorine and lead.

The FRF01 cartridge is an advanced carbon block with a white pre-filter wrap and mesh. This cartridge will reduce sediment, cysts, chlorine and lead and is suited to areas with low flow and high levels of sediment.

SECTION 2: IMPORTANT THINGS TO CONSIDER

Water Supply (Water Fittings) Regulations 1999

Familiarise yourself with the requirements of the Water Supply Regulations 1999: www.legislation.gov.uk/uksi/1999/1148/contents/made

Maximum Working Pressure 6 bar/90psi

Measure the pressure during the 'low demand' period, when the pressure will be at its highest e.g. mid-morning, mid-afternoon or late evening. If the pressure exceeds 6 bar/90psi, it will be necessary to install a suitable pressure reducing valve in the supply line upstream of the filter stop valve. (A suitable pressure reducing valve is available online at www.FrankeFilterFlow.co.uk/)

Minimum Pressure 1.5 bar/23psi

This is the minimum pressure recommended to achieve an acceptable flow.

Filter Housing

The filter housing is precision engineered in ABS plastic and will require no routine maintenance beyond regular lubrication of the large sump 'O' Seal (see Lubrication below) and an occasional wipe with a damp cloth.

Important. Under no circumstances should the housing come in to contact with household cleaners as this may cause the housing to fracture. Do not install the housing where it is permanently exposed to daylight, as over time extended exposure will degrade the plastic. As a precaution the housing should be replaced every 10 years.

Taking care of the green flexible tubing

Although the tube can withstand significant water pressure do not stretch, kink or expose the green plastic tubing to a naked flame during installation. Do not allow the tube to come in to contact with solvents and proprietary cleaners.

Lubrication

Applying a smear of grease to the large 'O' seal on the head of the housing at each cartridge change will ensure the two parts of the filter housing are easy to separate and re-assemble.

Important. Use only WRAS (Water Research Advisory Service) approved silicon grease to lubricate the rubber seals, as rubber and plastic parts will degrade and eventually fail if the wrong grease is used. A suitable grade of silicon grease is available to purchase online at www.FrankeFilterFlow.co.uk

Periods away from home

If you are planning to leave the premises where the filter is installed for an extended period it is advisable to isolate the filter system. Turn off the water supply to the filter using the filter stop valve. Turn the filtered water tap on and off a few times to release the pressure in the system. When you return just turn the water supply back on and run the water for a few minutes before use.

SECTION 3: PLANNING YOUR INSTALLATION

Although your Franke FilterFlow system is designed for ease of installation, careful planning and preparation before commencing the installation will ensure the procedure is straightforward and trouble-free.

Choosing the Location

Choose the most convenient place to tee into the 15mm cold water supply to install the stop valve. Decide the best place to position the filter unit within the kitchen cabinet. Bear in mind the need for easy access to make future filter cartridge changes a simple process. Ensure the braided flexible hose and the flexible plastic tube can be fitted without stretching or kinking.

Installing the Filter System above the Ground Floor

Extra care should be taken when installing water appliances above the ground floor. To reduce the risk of potentially catastrophic flooding, install an automatic shut-off device at the outlet of the filter stop valve.

Backflow Prevention

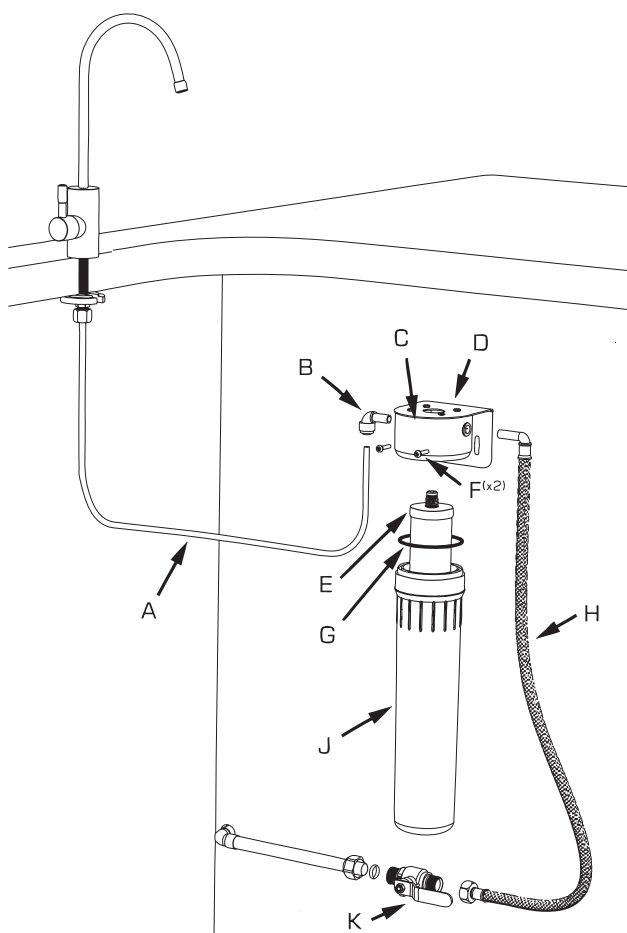
To comply with UK Water Supply (Water Fittings) Regulations 1999, a suitable check valve (non-return valve) arrangement should be installed upstream of the filter stop valve.

Plumbing Connections

The stop valve supplied with the system is for connection to 15mm copper pipework. For alternative connection options please contact Franke FilterFlow customer service.

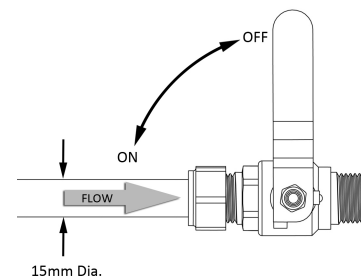
SECTION 4: PRINCIPAL COMPONENTS

DESCRIPTION	PART NUMBER
Mini Dispenser Tap	Supplied Separately
A 1/4" Plastic Tube—Green	9.20210
B 3/8" Push-fit Elbow Connector	9.03200
C Filter Housing Head	N/A
D Bracket	N/A
E Filter Cartridge	FRF02 (FRF01 in Republic of Ireland)
F Wood Screws x 2	9.24001
G 'O' Seal for Filter Sump	9.06231
H Inlet Hose	9.28001
J Filter Housing Sump	N/A
K Stop Valve 15mm comp x 1/2" BSPM	9.13000



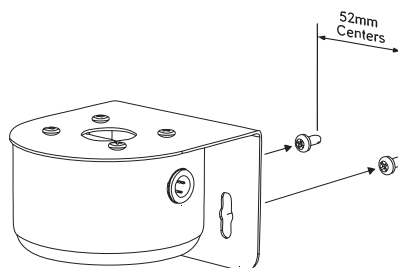
SECTION 5: INSTALLATION

Shut off the mains water supply



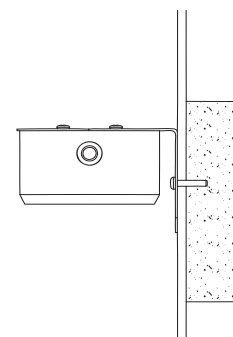
Install the stop valve

Install the stopvalve (K) in the chosen position in the adjacent 15mm pipework. **Note.** For DIY installation a self piercing valve is available as an alternative to the stop valve; visit www.FrankeFilterFlow.co.uk

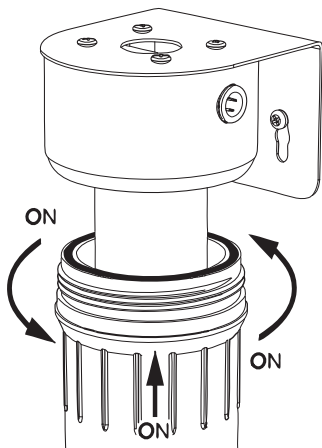


Secure the filter housing

Unscrew the housing head (C) and separate it from the sump (J). Mark the positions for the two bracket supporting screws (F). Screw in both screws, leaving their heads protruding approximately 3mm to allow the bracket (D) to be easily lifted on and off the screws.



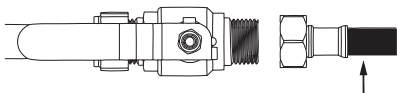
Note. Depending on the nature of the cabinet it may be necessary to position a batten behind the panel to make a secure fixing. Remember the weight of the housing will increase when filled with water.



Install the filter cartridge and assemble the filter housing

Unpack the new filter cartridge (E) and screw it into the housing head. Hand tighten the cartridge sufficient to make a watertight seal.

Important. Do not overtighten the cartridge. Over tightening may shear off the threaded section of the cartridge.



Connect the filter housing to the stop valve

Select the stainless steel braided inlet hose (H). Connect the end with the 1/2" BSP female nut to the male thread of the stop valve (K). Tighten the nut with a suitable spanner sufficient to make a watertight seal. **Important.** Do not be tempted to overtighten the nut as it may distort the washer and cause the joint to leak.

Connect the filter housing to the FilterFlow Mini tap

When you are installing a Franke FilterFlow Mini tap with the system refer to the part of the instructions explaining how to fit the green plastic tube (A) to the shank of the tap before the tap is inserted through the hole in the work surface. Note the green tube is supplied with the filter kit, not the tap.

Take the free end of the green plastic tube and the push-fit connector (B). Push the end of the tube fully home into the female collet of the connector. Fit the male stem of the push-fit connector elbow into the outlet of the filter housing head and push it fully home.

Important note – making the push-fit connections

Make sure that the tube and the stem of the connector is pushed fully home. Initial resistance will be felt as the stem engages the internal 'O' seal. It is essential to continue to push the stem past the seal to the final stop. The stem should enter 10mm (3/8") when fully engaged. Failure to fully engage the

connector may result in subsequent failure of the joint.

Turn the water on

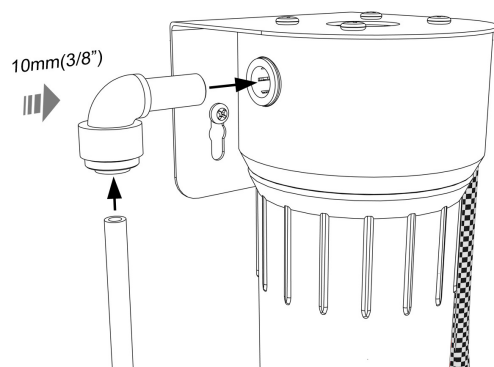
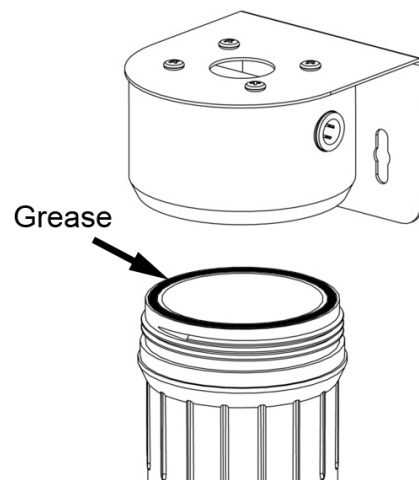
Check to make sure all the connections are secure. Close the stop valve and turn the lever of your filter tap to the 'ON' position. Turn on the mains water supply. Turn on the stop valve. Check that the filtered water is running from the tap spout. **Important.** For optimum removal performance adjust the stop valve to set the filtered water flow to fill a one litre jug in approximately 30 seconds..

SECTION 6: MAINTENANCE

Routine maintenance

Apart from the scheduled filter cartridge replacement, the filter unit will require very little routine maintenance, beyond occasional lubrication of the head 'O' Seal (J).

Important. Use only WRAS approved silicon grease for this purpose – an approved grease is available to purchase from Franke FilterFlow; visit www.FrankeFilterFlow.co.uk or contact customer service on **0808 165 0008**.



SECTION 7: FREQUENTLY ASKED QUESTIONS

Limescale still forms in my kettle

The FRF02 and FRF01 cartridges supplied as standard with Franke FilterFlow systems will not reduce limescale. They are first and foremost a health and security cartridge, designed to significantly reduce possible harmful waterborne contaminants in both hard and soft water regions. Calcium and magnesium, the minerals associated with limescale in water, are left intact as they are considered beneficial to health and contribute to its pleasant taste. However, if the cosmetic concern relating to scale reduction is your primary concern, you can switch to an FRF05 Carbon Dealk cartridge on your next cartridge change date. Visit www.FrankeFilterFlow.co.uk for more information and to view the range of specialist cartridges.

Unsightly deposits on the surface of a cup of tea

In hard water areas a 'scum' can appear on the surface of hot tea. Although unsightly it is completely harmless. The cause is related to the precipitation of calcium and magnesium in hard water regions and a reaction with the tea bag material. Changing tea bags will often remedy the problem. Alternatively you can consider switching to a FRF05 cartridge (refer to previous paragraph).

Milky water

With a new system a significant amount of air is trapped in the microporous structure of the cartridge. This will form tiny bubbles and give the water in the glass a milky appearance that will soon disperse when left to stand for a few moments. This may continue for 2 to 3 weeks until the cartridge is fully conditioned..

Tiny black specks in the water

Tiny black specs may appear initially in the water. These are harmless particles of carbon; residues from the manufacturing process. Allow the filtered water to continue flowing for a while until they are completely flushed through.

The filtered water flow slows to an unacceptable level

FRF02 cartridge- A significant reduction in flow is an indication that the ceramic shell of the cartridge is blocked with contaminants. This often occurs soon after a new system is installed due to plumbing residues, solder fluxes etc, becoming trapped on the surface of the filter cartridge. If this happens inside the recommended 6 month change cycle you may clean the cartridge to restore the flow. Remove the cartridge (refer to cartridge change instructions), hold the cartridge under warm running water and abrade the outer surface vigorously with a non soapy abrasive pad sufficiently to restore the white colour of the surface.

FRF01 cartridge- The FRF01 cartridge is not cleanable and will therefore need to be replaced once it becomes blocked with contaminants.

SECTION 8: CHANGING THE CARTRIDGE IN YOUR FRANKE FILTERFLOW

Cartridge Replacement Cycle

The recommended filter cartridge change cycle is 6 months

Important. The period between cartridge replacements is not guaranteed; it is an estimate based on filtering mains water of average quality. Please bear in mind that water quality varies from locality to locality and situation to situation. In areas with higher than average turbidity (particle contamination) more frequent cartridge changes may be necessary.

Before you begin

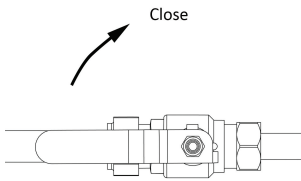
No special tools are required for this operation. All you will need is a suitable receptacle to catch any spillage and a cloth or a sponge handy. A rubber glove is provided to hold the wet cartridge.

Lubricating the rubber seals

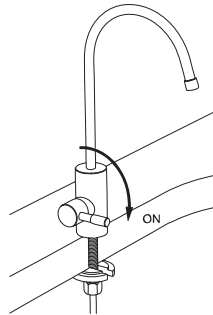
For ease of assembly we recommend that a film of silicone grease is applied to the filter housing 'O' Seal, at least every other cartridge change, to maintain the smooth operation of the unit. Important note Only a WRAS approved silicon lubricant should be used for this purpose. Small tubes of a WRAS approved silicon grease can be purchased from Franke FilterFlow at www.FrankeFilterFlow.co.uk

Disposing of the Spent Cartridge

You may dispose of the cartridge in your normal household waste. Both the ceramic and carbon components of the FRF02 & FRF01 cartridges are biodegradable. You are welcome to return either the plastic parts or the complete cartridge to Franke FilterFlow for recycling. Should you decide to return the cartridge please allow it to dry naturally and return it in the original packaging.

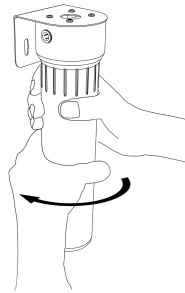


1. Locate the shut-off valve and turn off the mains water supply to the filter housing.

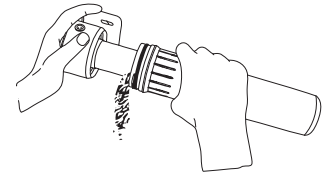


2. Turn the dispenser tap to "ON" to release the pressure in the system. Leave the tap in the on position.

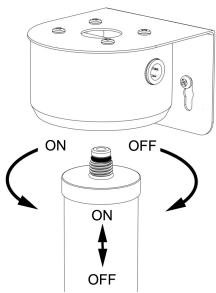
Important note. If the tap is not left on the pressure trapped in the system will make it impossible to unlock the filter housing sump from the head.



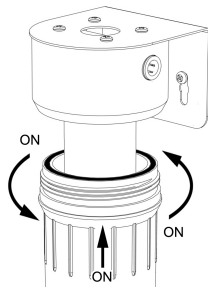
3. Have a bowl to hand. Grip the sump firmly and turn it to the left, just sufficient to break the seal. Lift the filter housing assembly off its two supporting screws.



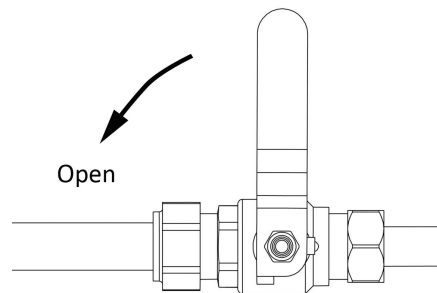
4. Hold the housing over the bowl and continue to unscrew sump. Carefully remove the sump and empty the water it contains. Set it to one side. Unscrew the filter cartridge and discard it.



5. Screw the new cartridge in to the head. Tighten it firmly to make a seal. Do not over tighten as this may cause the threaded section to shear.



6. Screw the sump to the head and tighten it firmly. Re-mount the assembled housing on the two retaining screws.



7. Turn the water supply 'on' and check the system carefully for leaks. Leave the filter tap in the 'on' position and allow the water to run for a minimum of 10 minutes to flush the system. Check the flow rate. We recommend no more than 30 seconds a litre for optimum performance. If the flow is too fast it can be regulated by adjusting the stop valve.

Warranty

What is covered by the Franke FilterFlow guarantee?

- The repair or replacement of your drinking water filter system if your system is found to be defective due to faulty materials or within 2 years of purchase, at the discretion of Franke FilterFlow.
- If any part is no longer available or out of manufacture, Franke FilterFlow will replace it with a functional alternative.

Terms and conditions of the Franke FilterFlow 2 year guarantee

- The guarantee is valid for the UK and Republic of Ireland.
- The guarantee becomes effective at the date of purchase (or the date of delivery if this is later).
- Proof of purchase is required under the terms of the guarantee.

The guarantee provides benefits which are additional to, and do not affect your statutory rights as a consumer.

What is not covered by the guarantee?

- The Franke FilterFlow kitchen tap – see separate installation guide for tap warranty details.

Franke FilterFlow does not guarantee the repair or replacement of a product as a result of:

- Normal wear and tear.
- Accidental damage, faults caused by negligent use or care, misuse, neglect, careless operation or handling of the filter system which is not in accordance with the Franke FilterFlow operating guidelines.
- Use of the filter system for anything other than normal domestic household purposes.
- Use of parts not assembled or installed in accordance with the instructions of Franke FilterFlow.
- Faulty installation, repairs or alterations (not in accordance with the installation guide).

How do I make a claim under my Franke FilterFlow 2 year guarantee?

If you are in any doubt as to what is covered by your guarantee or wish to discuss a claim please call us on **0808 165 0008** between the hours of 9.00am and 5.00pm, Monday to Friday. If you are calling for the first time please have your receipt to hand so we can record your date of purchase.

The company reserves the right to alter, change or modify product specifications without prior notice.

Franke UK Limited
West Park, MIOC
Styal Road
Manchester
M22 5WB
Phone +44 (0)161 436 6280
Fax +44 (0)161 436 2180
Email info.uk@franke.com
www.franke.co.uk

After Sales Service

Franke FilterFlow
3 Old Winery Business Park
Chapel Street
Cawston, Norfolk
NR10 4FE
Phone +44 (0)808 165 0008
Fax +44 (0)844 358 0166
Email info@frankefilterflow.com
www.frankefilterflow.co.uk



KITCHEN
SYSTEMS